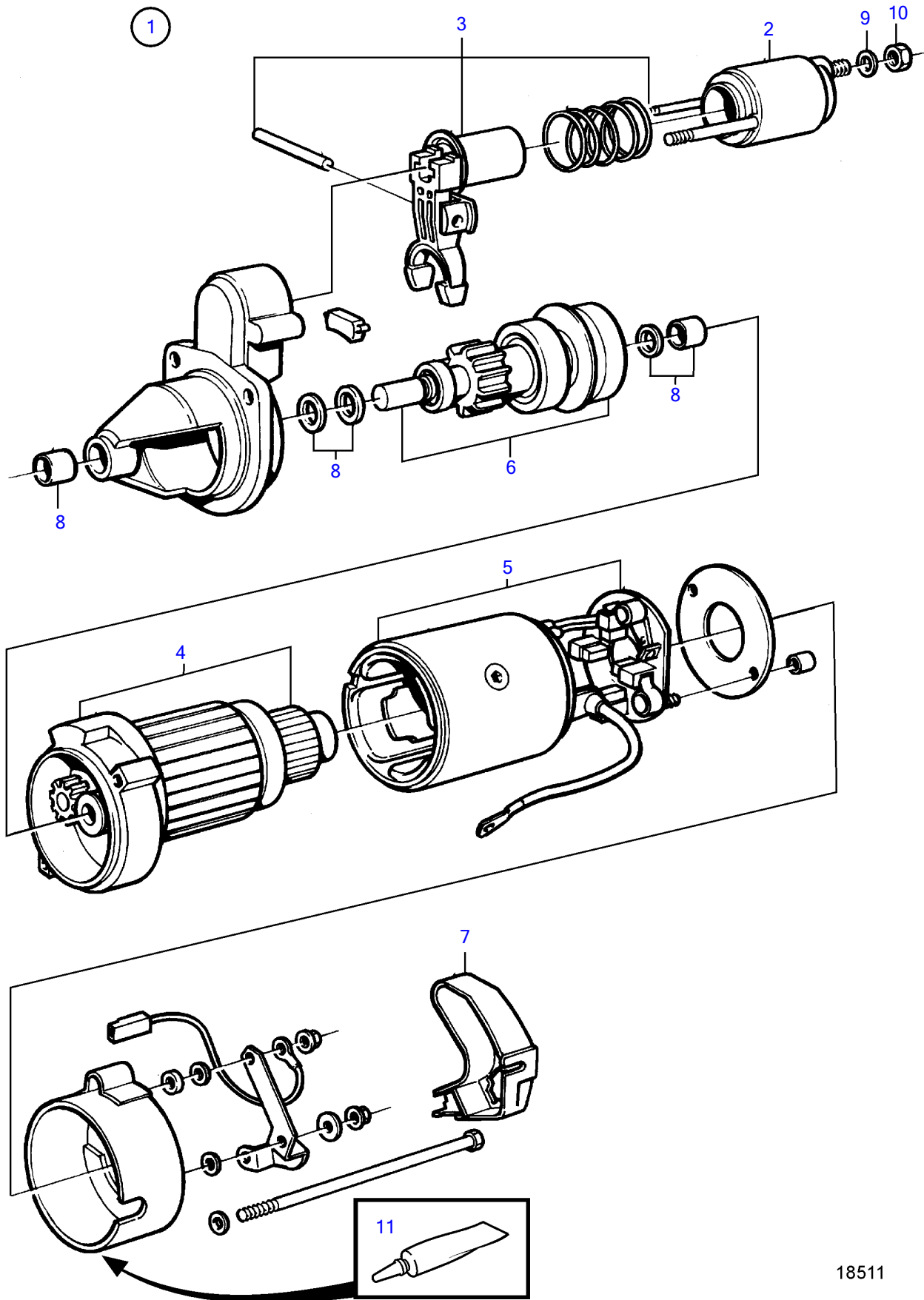


KAD32P, KAD32P-A, TAMD42WJ-A, KAD43P, KAD43P-A, KAMD43P, KAMD43P-A, KAD44P, KAD44P-A, KAD44P-B, KAD44P-C, KAMD44P, KAMD44P-A, KAMD44P-B, KAMD44P-C, KAD300, , KAMD300, KAMD300-A



18511

KAD32P, KAD32P-A, TAMD42WJ-A, KAD43P, KAD43P-A, KAMD43P, KAMD43P-A, KAD44P, KAD44P-A, KAD44P-B, KAD44P-C, KAMD44P, KAMD44P-A, KAMD44P-B, KAMD44P-C, KAD300, , KAMD300, KAMD300-A

REF	PART NO.	QTY	DESCRIPTION	NOTES
1	3581774	1	Starter motor	2-pole., E.U=3803386
	3803386	1	Starter motor, exch, exch	2-pole., E.U=3803386
2	859618	1	• Solenoid switch	
3	859619	1	• Intermediate lever	
4	(859621)	1	• Rotor	Obsolete part
5	(859622)	1	• Field winding	Obsolete part
6	859623	1	• Starter pinion	
7	860439	1	• Cover	
8	859620	1	• Repair kit	
9	941907	1	Spring washer	
10	955782	1	Hexagon nut	
11	1161277	X	Sealant	Black, 20g
	1161231	X	Sealant	Black, 0.31L